



Applications

J10 humidity controls are designed to regulate relative humidity in confined spaces by cyclic operation of humidifying or dehumidifying equipment. They are designed for use as internal components in portable humidifiers and dehumidifiers, and as wall mounted humidity controls for central humidification and dehumidification systems.

The J10 comprises a relative humidity sensing element, an adjustable set point cam, and an electrical switch.

The length of the sensing element varies in response to ambient relative humidity, and the resulting displacement pilots the operation of mechanisms controlling the relative switch contacts.

Typical applications

- Dehumidifiers
- Humidifiers for products and rooms
- Fans for confined spaces
- Processing of materials
- Central HVAC systems

Features and options

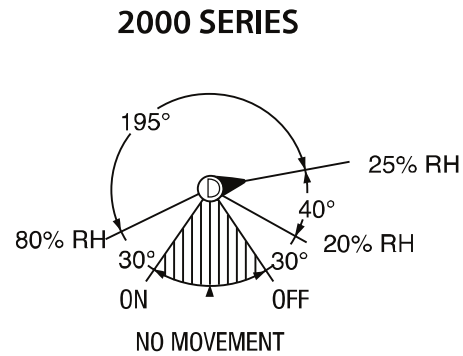
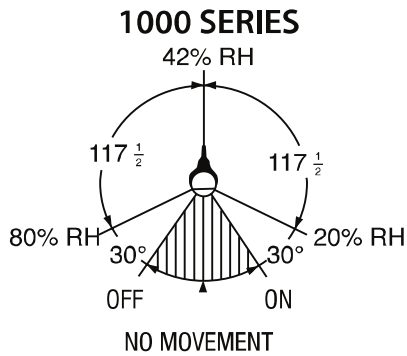
- Tough plastic casing with built-in switch
- Improved woven nylon sensing element guaranteeing speed of response 12 times faster than film type nylon elements.
- Greater stability of set points, even with significant changes in relative humidity
- Optimized differential equivalent to 5% RH.
- Switch grade plastic casing eliminates the need for earth connection
- Option of 4% RH and 15% RH differentials.
- Choice between SPST switches (2) and SPDT switches (2) to suit different applications
- Option of fixed or variable set points
- Available with gold plated contacts for microprocessor applications
- Versions with fixed settings available
- Available with box and cover for wall mounting (800 series)
- Option of electronic controller (contact Ranco Marketing)
- Available with built-in or remote sensor

Technical Specifications

Humidity range	from 10 to 60% RH from 20 to 80% RH from 30 to 90% RH
Fixed differentials	4% RH or 15% RH
Switch	SPDT or SPST / Terminals 6.3 x 0.8 mm
Function of terminals (when present)	1 Closes when RH increases 2 Common 3 Closes when RH decreases
Switch/casing insulation material:	Thermoplastic, self-extinguishing flame class 94V-0 Comparative tracking index 600
Control cycle rating	Automatic switch cycles at 60 °C 50000 / Manual dial shaft cycles 6000
Ambient temperature conditions:	Switch head 0 °C to 60 °C / Shipping -30 °C to 65.5 °C
Casing enclosure rating	IP00
Electric shock protection	Class 1
Fixing method	With screws, or option of snap-fit specified by user



Dial configuration



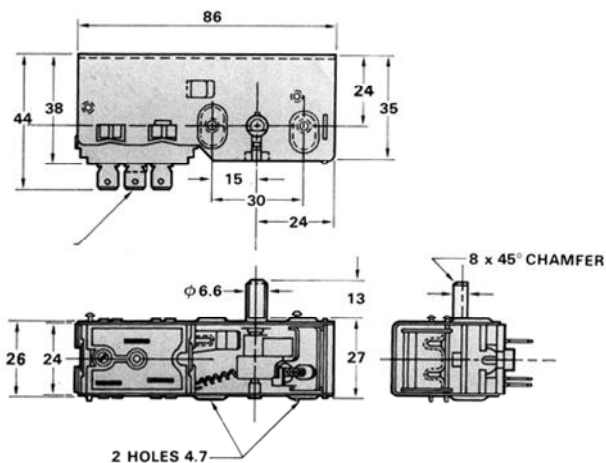
J10 WITHOUT ENCLOSURE

Part number	Application	Setting range	Switch	N° terminals	ELECTRICAL RATING		
					Inductive FLA	Inductive LRA	Resistive NIA
J10 - 1000	Dehumidification	20% - 80%	SPST	1 - 2	12.0/3.7 A	50/22.2 A	12.0/3.7 A
J10 - 2000	Humidification	20% - 60%	SPST	2 - 3	12.0/3.7 A	50/22.2 A	12.0/3.7 A
J10 - 7000	Dehumidification and humidification	20% - 80%	SPDT	2 - 1	12.0/3.7 A	50/22.2 A	12.0/3.7 A
J10 - 7300		20% - 80%	SPDT	2 - 3	2.0/1.0 A	12.0/6.0 A	2.0/1.0 A

J10 WITH ENCLOSURE

Part number	Application	Setting range	Switch	ELECTRICAL RATING		
				Inductive FLA	Inductive LRA	Resistive NIA
J10 - 809	Dehumidification	20% - 80%	SPST	12.0/3.7 A	50/22.2 A	12.0/3.7 A
J10 - 810	Dehumidification	20% - 80%	SPST	12.0/3.7 A	50/22.2 A	12.0/3.7 A
J10 - 811	Humidification	20% - 80%	SPDT	12.0/3.7 A	50/22.2 A	12.0/3.7 A
J10 - 821	Humidification	20% - 80%	SPST	2.0/1.0 A	12.0/6.0 A	2.0/1.0 A

J10 - Dimensions



J10 - Wall mounting

